



# Camera & XVR recorder CATALOG

- 1.3 MP/720P CCTV CAMERA
- 2.0 MP/1080P CCTV CAMERA
- 2.0 / 1080P IP CAMERA
- XVR RECORDER

# Content

## CCTV 720P / 1.3MP

Page 3-6



CCTV 720P / 1.3MP

**BC-AHD720P-DO**

- Sony 1.3MP / 720P,
- AHD / ANALOG
- 3.6mm Len, IR 20M, IP66



CCTV 720P / 1.3MP

**BC-AHD720P-BU**

- Sony 1.3MP / 720P,
- AHD / ANALOG
- 3.6mm Len, IR 20M, IP66



CCTV 720P / 1.3MP

**BC-AHD720P-50**

- Sony 1.3MP / 720P,
- AHD / CVI, TVI / ANALOG
- 2.8-12mm Len, IR 50M, IP66



CCTV 720P / 1.3MP

**BC-AHD720P-WC**

- Sony 1.3MP / 720P,
- AHD / CVI, TVI / ANALOG
- 2.8-12mm Len, IR 50M, IP66

## CCTV 1080P / 2.0MP

Page 7-8

Starlight



CCTV 1080P / 2.0MP

**BC-4IN1BU-28**

- Sony 2.0MP / 1080P
- AHD / CVI, TVI / ANALOG
- 2.8mm. Len, IR 20M, IP66

Starlight



CCTV 1080P / 2.0MP

**BC-4IN1DO-30**

- Sony 2.0MP / 1080P
- AHD / CVI, TVI / ANALOG
- 2.8-12mm. Len, IR 30M, IP66

## IP (PoE) 1080P / 2.0MP

Page 9-12

Starlight



IP 1080P / 2.0MP

**BC-IPB20**

- Sony 2.0MP / 1080P
- IP camera, PoE, MIC, Onvif
- 2.8mm. Len, IR 20M, IP66

Starlight



IP 1080P / 2.0MP

**BC-IPD20**

- Sony 2.0MP / 1080P
- IP camera, PoE, MIC, Onvif
- 2.8mm. Len, IR 20M, IP66



IP 1080P / 2.0MP

**BC-IP2812IN**

- Sony 2.0MP / 1080P
- IP camera, PoE, Onvif
- 2.8-12mm. Len, IR 50M, IP66



IP 1080P / 2.0MP

**BC-IP2812OUT**

- Sony 2.0MP / 1080P
- IP camera, PoE, Onvif
- 2.8-12mm. Len, IR 40M, IP66

## XVR recorder 1080P / 2.0MP

Page 13-15

Hybride Support AHD / CVI / TVI / ANALOG and IP



XVR recorder 1080P / 2.0MP NVR recorder, 4 channel

**BC-AHD04**

- XVR recorder
- Support AHD / CVI / TVI / ANALOG / IP
- 4 CH, 5 in 1 Hybride DVR / NVR / HVR



XVR recorder 1080P / 2.0MP NVR recorder, 8 channel

**BC-1080P8**

- XVR recorder
- Support AHD / CVI / TVI / ANALOG / IP
- 8 CH, 5 in 1 Hybride DVR / NVR / HVR



XVR recorder 1080P / 2.0MP NVR recorder, 16 channel

**BC-1080P16**

- XVR recorder
- Support AHD / CVI / TVI / ANALOG / IP
- 16 CH, 5 in 1 Hybride DVR / NVR / HVR



# Hybride Camera Sony 1.3 MP/720P

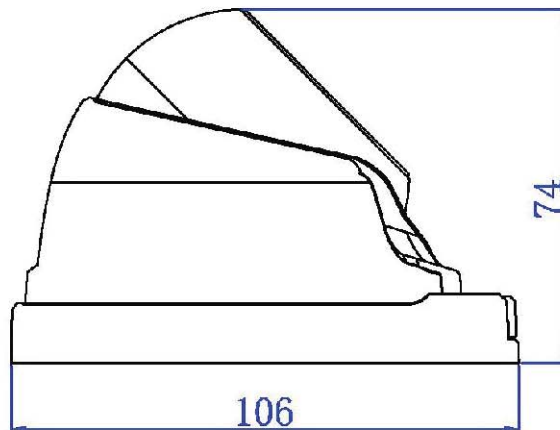
## BC-AHD720P-DO

- Sony 1.3 MP/720P Dome camera
- Hybride Support **AHD/CVBS Analog (960H)** video output
- 3.6mm lens
- 18 pcs SMD LED, IP66 waterproof
- IR distance 20M, cable OSD



### Specification

Model	BC-AHD720P-DO
Sensor	SONY 1/3 CMOS IMX225
DSP	NVP2431
Horizontal Resolution	1.3MP/720P
Number of Pixels	1280*720
ICR Function	Yes(Built-in IR CUT filter)
VIDEO.OUT	AHD/CVBS(960H analog) and NTSC/PAL
Scanning System	progressive
Minimum Illumination	0.05Lux (F1.2)
Sync System	Internal
3DNR	LOW/MID/HIGH/OFF
White balance	ATW/AWC-SET/Indoor/Outdoor/MANUAL/AWB
AGC	Level 0-15
Lens	3.6mm lens
IR Series Distance	Max.20Meter with 18pcs SMD Leds
Electric Shutter	1/25s-1/50000s and 1/30s-1/60000s
S/N Ratio	48dB(min)(AGC closed)
Mirror	OFF/MIRROR/V-FLIP/ROTATE
D-WDR	OFF/ON(0-8)/AUTO
BLC	OFF/HSBLC/BLC
OSD	yes
OSD language	Eng CHN1/2 GER FRA ITA SPA POL RUS POR NED TUR
Motion Detection	4 areas optional
Privacy Zone	4 areas optional
Day/Night	Auto. Color, B/W, Ext
Power supply	DC 12V,350mA
Dimension	106(D) x 74(H) mm
Operation Temp.	Temperature -10°C~+55°C, Humidity less than 85%RH





# Hybride Camera Sony 1.3 MP/720P

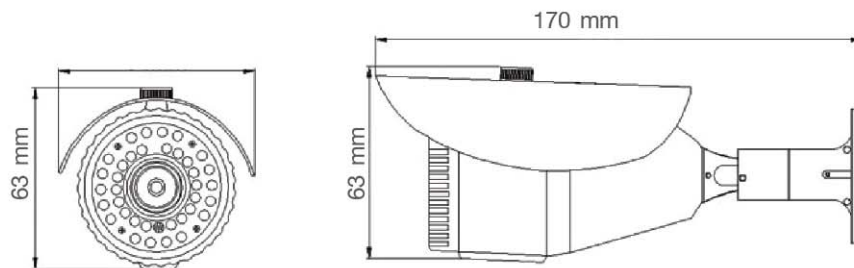
## BC-AHD720P-BU

- Sony 1.3 MP/720P Bullet camera
- Hybride Support AHD / CVBS Analog(960H) video output
- 3.6mm lens
- 18 pcs SMD LED, IP66 waterproof
- IR distance 20M, cable OSD



### Specification

Model	BC-AHD720P-BU
Sensor	SONY 1/3 CMOS IMX225
DSP	NVP2431
Horizontal Resolution	1.3MP/720P
Number of Pixels	1280*720
ICR Function	Yes(Built-in IR CUT filter)
VIDEO.OUT	AHD/CVBS(960H analog) and NTSC/PAL
Scanning System	progressive
Minimum Illumination	0.05Lux (F1.2)
Sync System	Internal
3DNR	LOW/MID/HIGH/OFF
White balance	ATW/AWC-SET/Indoor/Outdoor/MANUAL/AWB
AGC	Level 0-15
Lens	3.6mm lens
IR Series Distance	Max.20Meter with 18pcs SMD Leds
Electric Shutter	1/25s-1/50000s and 1/30s-1/60000s
S/N Ratio	48dB(min)(AGC closed)
Mirror	OFF/MIRROR/V-FLIP/ROTATE
D-WDR	OFF/ON(0-8)/AUTO
BLC	OFF/HSBLC/BLC
OSD	yes
OSD language	Eng CHN1/2 GER FRA ITA SPA POL RUS POR NED TUR
Motion Detection	4 areas optional
Privacy Zone	4 areas optional
Day/Night	Auto. Color, B/W, Ext
Power supply	DC 12V, 350mA
Dimension	170 (L) x 63(H) mm
Operation Temp.	Temperature -10°C~+55°C, Humidity less than 85%RH





# Hybride Camera Sony 1.3 MP/720P

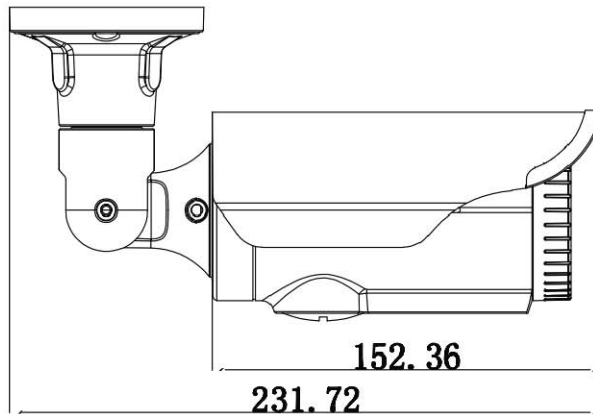
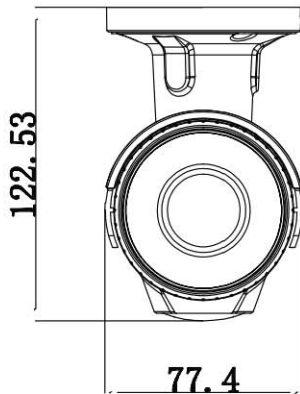
## BC-AHD720P-50

- Sony 1.3" MP/720P Bullet camera
- Hybride Support AHD/CVI/TVI/CVBS Analog(960H) video output
- 2.8-12 verifocal lens
- 2pcs Array IR and 7pcs Piranha
- IP66 waterproof, IR distance 50M, cable OSD



### Specification

Power System	PAL / NTSC
Model	SCAT130C(P) / SCAT130C(N)
Sensor	IMX225 1/3"
DSP	V20E
Active Pixel	1280*960
SYNC.	Internal
Resolution	1.3M, 720P
VIDEO.OUT	AHD/CVI/TVI/CVBS
Minimum Illumination	0.05Lux(F1.2)
Electric Shutter	1/50s-1/10000s / 1/60s-1/10000s
S/N Ratio	48dB(min)(AGC closed)
WDR	OFF/ON
DNR	2D-DNR
WHITE Balance	ATW/MWB
AE MODE	GLOBE/BLC
OSD	Yes
Coaxial	Yes
Language	Eng Chin1 Chin2 Ital Spain
Day/Night	Ext Color, AUTO B/W
Power Input	DC12V±1V
Power Dissipation	65-75mA
Transmission distance	75-5 300M
Operation Temperature	Temperature -10°C~+55°C, Humidity less than 85%RH





# Hybride Camera Sony 1.3 MP / 720P

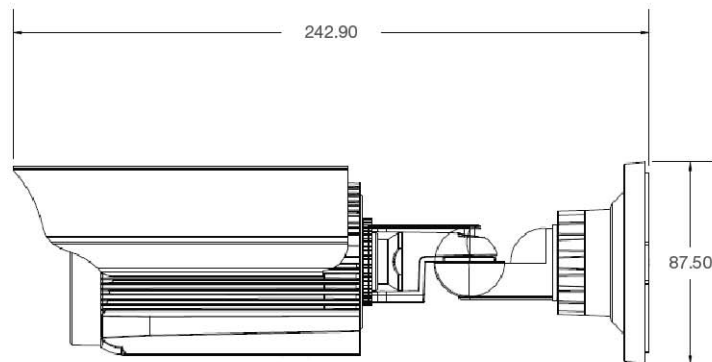
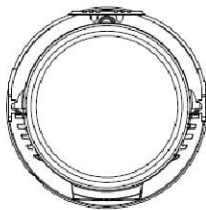
## BC-AHD720P-WC (White color)

- Sony 1.3MP/720P Bullet camera, CMOS sensor
- Hybride Support **AHD / TVI / CVI / Analog** video output
- 2.8-12mm Lens
- 2pcs Array IR with 7pcs Piranha LED
- IR distance 40M, OSD cable
- IP66 waterproof



### Specification

Model No.	BC-AHD720P-WC (White Color)
Sensor	IMX225 1/3
DSP	V20E
Active Pixel	1280*960
SYNC.	Internal
Resolution	Default is CVBS 1000tvl
VIDEO output mode	CVBS/AHD/TVI/CVI(default is CVBS)
Lens	2.8-12mm
IR Series Distance	Max. 40 Meter
Minimum Illumination	0.05Lux(F1.2)
Gama adjust	0.45
Electric Shutter	1/25s-1/50000s 1/30s-1/60000s
S/N Ratio	48dB(min)(AGC closed)
D-WDR	OFF/ON
BLC	OFF/HSBLC/BLC
WHITE BAL	ATW/AWC-SET/Indoor/Outdoor/MANUAL/AWB
DNR	2D-NR
WHITE Balance	ATW/MWB
AE MODE	GLOBE/BLC
OSD	Yes(OSD controller at cable)
Coaxial	Yes
Language	Eng Chin1/2 Russ Ital Spain Franc Korean Port Greek
Day/Night	Ext Color, AUTO B/W
Power supply	DC12V, 450mA
Transmission distance	75-5 300M
Operation Temperature	Temperature -10°C~+55°C, Humidity less than 85%RH
Case Dimension	242.9(L) x 87.5(H) x 83.5(W) mm



Starlight



# Hybride Camera Sony 2.0 MP/1080P

**BC-4IN1BU-28**

Main features:

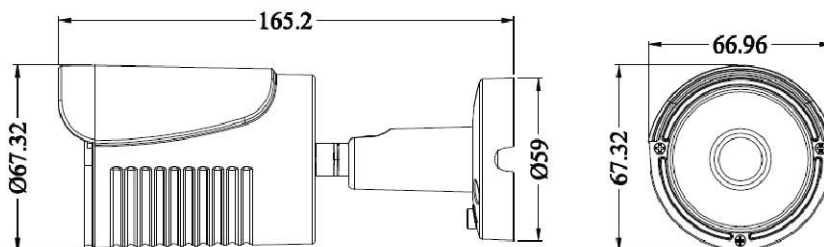
- Using high performance Sony IMX307 starlight sensor, with 2.0 mega-pixel resolution.
- Support coaxial transmission for HD video and control signal.
- Support common 75-5 similar coaxial cables lossless transmission up to 300 meters above.
- Support ICR switching
- Default AHD mode output, can switch to TVI/CVI by cable
- 3DNR,WDR
- IP66 Metal Bullet casing
- 2.8mm lens
- 18pcs SMD IR led, 20m



## Specification

Model	BC-4IN1BU-28
Sensor	IMX307 1/2.8
DSP	FH8550M
Active Pixel	1920*1080
SYNC.	Internal
Resolution	1080P
VIDEO.OUT	A/C/T/CVBS
Minimum Illumination	0.0001Lux(F1.2)
Gama adjust	0.45
AF MODE	SEMI/AUTO/MANUAL
Electric Shutter	1/25s-1/10000s 1/30s-1/10000s
S/N Ratio	50dB(min)
AE	GLOBE/BLC
WB	ATW/MWB
WDR	EXT/OPEN/CLOSE
3DNR	AUTO/MANUAL(0-30)
OSD	Yes
Language	Eng Chin1/2 Russ Ital Spain Franc POL Port JAPA
Day/Night	Auto, Color, B/W, Ext
Power Input	DC12V±1V
Power Dissipation	95mA-105mA
Transmission distance	75-5 300M
Case Dimension	165.20(L) × 67.32(W) × 66.96(H)mm
Weight	330g

## Image reference Night vision:





# Hybride Camera Sony 2.0 MP/1080P

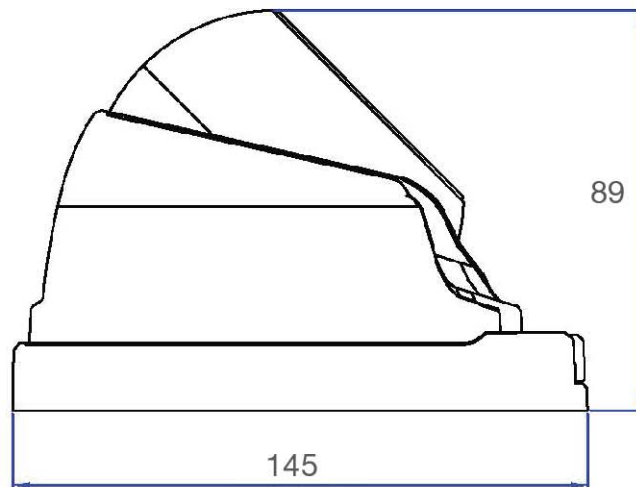
## BC-4IN1DO-30

- Sony 2.0 MP/1080P Dome camera
- Hybride Support **AHD / TVI / CVI / Analog** video output
- 2.8-12mm varifocal lens
- 24 pcs SMD LED, IP66 waterproof
- IR distance 30M, cable OSD



### Specification

Model	BC-4IN1DO-30
Sensor	1/2.8 SONY CMOS IMX323
DSP	FH8536
Horizontal Resolution	2.0 Mega pixel
Number of Pixels	1920*1080
Video output	AHD/TVI/CVI/CVBS (default is AHD)
Lens	2.8-12mm lens
IR Series Distance	Max. 30 meter with 24pcs SMD IR LED
ICR Function	Yes(Built-in IR CUT filter)
Power supply	DC 12V,40mA
TV System	PAL
Scanning System	2:1 Interlace
Minimum Illumination	0 Lux (with IR LED ON)
Sync System	Internal Synchronization
OSD Menu	Support(OSD controller at cable)
DNR	2DNR
WHITE Balance	ATW/MWB
D-WDR	OFF/ON
Language	11 kinds(Traditional/ Simplified Chinese, English, Spanish, Portuguese, Russian, German, French, TUR, NEL, ITA)
Gamma Characteristic	0.45
S/N Ratio	≥48dB (AGC off)
Electronic Shutter Time	PAL 1/25s-1/50000 Sec, NTSC 1/30s-1/60000s
Operation Temp.	-10°C~+50°C RH 95% Max
Case Dimension	145(D) x 89(H) mm





Starlight



# IP Camera Sony 2.0 MP/1080P

**POE 10/100Mbps Ethernet internal BC-IPB20**

**Main features:**

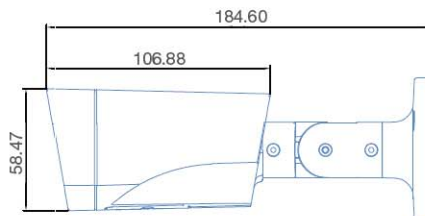
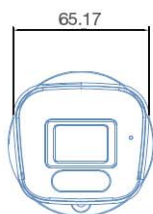
- 1/2.8" low-light CMOS sensor;
- Independent two channels with 25fps ;
- H.264/H.265/H.265+ video compression standard,
- Support intelligent analysis
- Accurate human detection,
- Support zone detection;
- Support WDR, backlight compensation, glare suppression, DNR and image flip;
- Resolution up to 2304\*1296,Color 0.01 Lux@F1.2; supports standard ONVIF protocol
- Support ICR switching
- IP66 Metal Bullet casing
- 2PCS Array IR Led, 20M
- 2.8mm lens
- Power supply:PoE and DC12V 500mA
- Built-in Mic



## Specification

Model	BC-IPB20
Sender	1/2.8", MP CMOS IMX307, low light
Minimum illumination	Color 0.01 Lux
Signal to noise ratio	≥50dB
Humanoid detection	Support
Video processing	PAL/NTSC video format is optional, supports automatic white balance, supports 3DNR,WDR,anti-face overexposure, and dehazing function, H.264/H.265/H.265+ different encoding formats are available, realize ultra-low storage, adjustable bit rate/frame rate.
Image Resolution	Main stream: 3MP@25fps,1080P (default)/720P/D1@30fps, Sub stream: D1/VGA/640*360/CIF@30fps, Support CBR/VBR
Network Interface	One RJ45, 10/100M adaptive Ethernet interface 2KV lightning protection meter
Protocol support	Support HTTP/RTSP/NTP/DHCP/ONVIF/P2P lamp network protocol, optional GB28181, RTMP and multiple private NVR protocols
Intelligent functions	IE6.0 and above (Web Server embedded in the device) browser use Motion detection and OSD customization Humanoid detection IO alarm function P2P cloud service Support mobile web access Support IP filtering Active infrared function
Work Environment	-30°C~85°C

## Image reference Night vision:



Starlight



# IP Camera Sony 2.0 MP/1080P

**POE 10/100Mbps Ethernet internal  
BC-IPD20**

**Main features:**

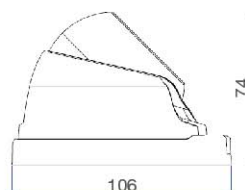
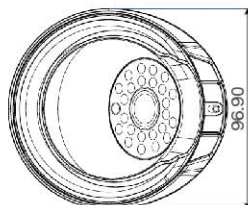
- 1/2.8" low-light CMOS sensor;
- Independent two channels with 25fps ;
- H.264/H.265/H.265+ video compression standard,
- Support intelligent analysis
- Accurate human detection,
- Support zone detection;
- Support WDR, backlight compensation, glare suppression, DNR and image flip;
- Resolution up to 2304\*1296,Color 0.01 Lux@F1.2; supports standard ONVIF protocol
- Support ICR switching
- IP66 Metal dome casing
- 18PCS smd IR Led, 20M
- 2.8mm lens
- Power supply:PoE and DC12V 500mA
- Built-in Mic



## Specification

Model	BC-IPD20
Sendor	1/2.8", MP CMOS IMX307, low light
Minimum illumination	Color 0.01 Lux
Signal to noise ratio	≥50dB
Humanoid detection	Support
Video processing	PAL/NTSC video format is optional, supports automatic white balance, supports 3DNR,WDR,anti-face overexposure, and dehazing function, H.264/H.265/H.265+ different encoding formats are available, realize ultra-low storage, adjustable bit rate/frame rate.
Image Resolution	Main stream: 3MP@25fps,1080P (default)/720P/D1@30fps, Sub stream: D1/VGA/640*360/CIF@30fps, Support CBR/VBR
Network Interface	One RJ45, 10/100M adaptive Ethernet interface 2KV lightning protection meter
Protocol support	Support HTTP/RTSP/NTP/DHCP/ONVIF/P2P lamp network protocol, optional GB28181, RTMP and
Intelligent functions	multiple private NVR protocols IE6.0 and above (Web Server embedded in the device) browser use Motion detection and OSD customization Humanoid detection IO alarm function P2P cloud service Support mobile web access Support IP filtering Active infrared function
Work Environment	-30°C--85°C

## Image reference Night vision:





# IP Camera Sony 2.0 MP/1080P

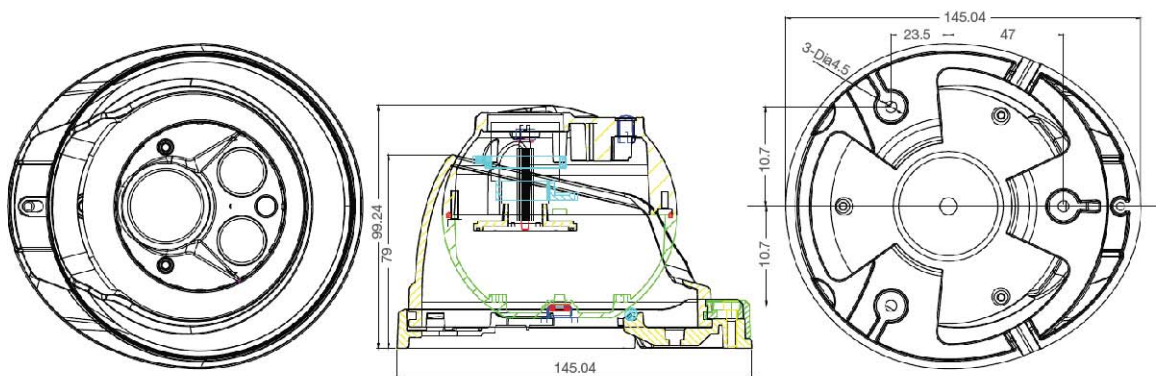
## BC-IP2812IN

- Sony 1/2.8" color CMOS 2.0 MP 1080P, Dome camera
- POE 10/100Mbps Ethernet internal
- Audio input/output, reset function
- 2.8-12mm varifocal lens
- 2pcs 42U Array
- IR LED IR distance 50M



### Specification

Model	BC-IP2812IN
System framework	Embedded Linux system and HI3516C
Sensor	1/2.8" Inch Sony Exmor CMOS sensor (IMX322)
video processing	H.264 Video Code, Support dual-stream, 32k-8m adjustable, 1-30/s frame rate adjustable
Video output	main stream: 1920*1080@30fps; sub-stream: D1(704*576)/VGA(640*480)/CIF(352*288)
Audio input/output	Yes
POE	Yes(POE is 13W)
Audio processing	G.711 coding Standard, Support both way Voice intercom function
minimum illumination	COLOR : 0.1 Lux @(F1.2, AGC ON) Black: 0.01Lux @(F1.2, AGC ON)
WDR	>100dB
Hardware reset function	Press the button at cable, camera will restore the factory default, do not need to enter the software
Onvif Version	2.
Network Port	1 RJ45 ethernet network port, 10M/100M self-adaption
Network protocol	TCP/UDP/HTTP/MULTICAST/UPnP/NTP/RTSP/Onvif
Mobile phone Monitor	Support Iphone, Windows Mobile, Android
Operation function	Support Web setting, OSD, real-time video transmission, support motive detection and IO alarm linkage for front end shortage/Capture, Support Central remind and image linkage after motion detection and IO alarm linkage, support MJPEG capture, Support unit client-side remote management software, provide complete SDK
ICR Function	Mechanical IR CUT Filter
IR Series Distance	Max. 50meters with 2pcs 42U Array LED
Lens	2megapixel 2.8-12mm lens
Camera size	100mm x 119mm
Camera weight	800g
Protection Rate	ESD 1kv
Work environment	Temperature: -35°C~60°C humidity: 0~95% RHG
Power supply	DC12V, 550mA





# IP Camera Sony 2.0 MP/1080P

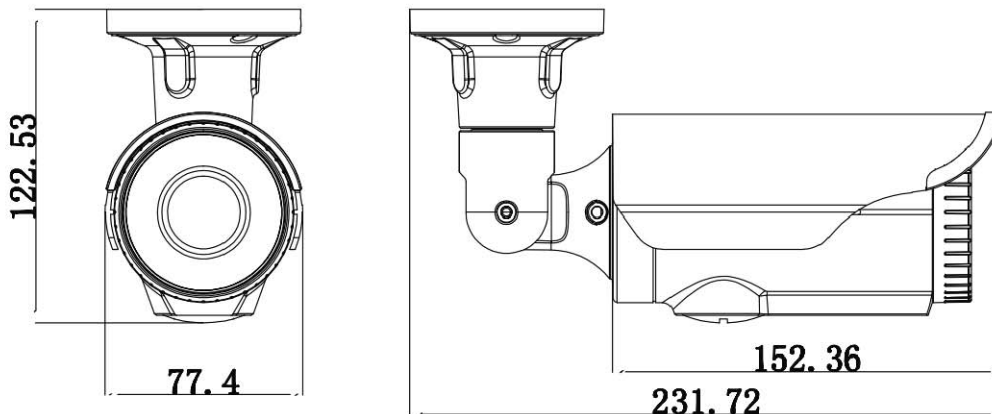
**POE 10/100Mbps Ethernet internal  
BC-IP2812OUT**

- Sony 1/2.8" color CMOS 2.0 MP 1080P, Bullet camera
- POE 10/100Mbps Ethernet internal
- Audio input/output, reset function
- 2.8-12mm varifocal lens,
- 2pcs Array IR + 7pcs piranh LED
- IR distance 40M
- IP66 waterproof



## Specification

Model	BC-IP2812OUT
System framework	Embedded Linux system and HI3516C
Sensor	1/2.8" Inch Sony Exmor CMOS sensor (IMX322)
video processing	H.264 Video Code, Support dual-stream,32k-8m adjustable,1-30/s frame rate adjustable
Video output	main stream: 1920*1080@30fps; sub-stream: D1(704*576)/VGA(640*480)/CIF(352*288)
Audio input/output	Yes
POE	Yes(POE is 13W)
Audio processing	G.711 coding Standard,Support bothway Voice intercom function
minimum illumination	COLOR:0.1 Lux @(F1.2, AGC ON) Black:0.01Lux @(F1.2, AGC ON)
WDR	>100dB
Hardware reset function	Press the button at cable, camera will restore the factory default, do not need to enter the software
Onvif Version	2.4
Network Port	1 RJ45 ethernet network port, 10M/100M self-adaption
Network protocol	TCP/UDP/HTTP/MULTICAST/UPnP/NTP/RTSP/Onvif
Mobile phone Monitor	Support Iphone, Windows Mobile, Android
Operation function	Support Web setting, OSD, real-time video transmission, support motive detection and IO alarm linkage for front end shortage/Capture,Support Central remind and image linkage after motion detection and IO alarm linkage, support MJPEG capture, Support unit clint-side remote management software, provide complete SDK
ICR Function	Mechanical IR CUT Filter
IR Series Distance	Max. 40meters 2pcs Array IR + 7pcs piranh LED
Lens	2megapixel 2.8-12mm lens
Camera size	77.4mm x 152.36mm x 122.53mm
Camera weight	800g
Protection Rate	ESD 1kv
Work environment	Temperature: -35°C~60°C humidity: 0~95% RHG
Power supply	DC12V, 550mA



# 4 channel 1080P HD, Hybrid XVR 5 in 1



## BC-AHD04

- AHD XVR **Hybride** 4CH (1080H/720P/960H)@20fps recording, 4CH playback,
- 4 x RCA audio input, 1 x RCA audio output, 1 x VGA and 1 x HDMI video output
- 1x RJ45 10/100Mbps, 1 RS485, 4 CH alarm input, 1 CH alarm output, 2 SATA



### Specification

Compression	Latest H.264 Standard compression
OS	Embedded Linux
Encoding Stream Control	Can set "fixed stream" or "variable stream" for each channel
Dual Stream	Can set "main stream" and "extra stream" for each channel
Dynamic Detection	Can set multiple detection areas for each channel
Preview Resolution	4CH 1080P (1920x1080)
Recording	4CH 1080P 15FPS/CH(PAL) 20FPS/CH(NTSC)
Recording mode	Support manual, automatic, dynamic monitoring, alarm trigger video mode
Playback	2CH 1080P
Hybrid Mode	1.AHD / TVI / CVI: 4CH 1080P@15fps recording, 2CH 1080P playback; 2.HVR: 2CH 1080P@25fps Analog + 2CH 1080P@25fps IP recording, 2CH 1080P@25fps playback; 3.NVR: 4CH 1080P@25fps IP recording, 4CH 1080P@25fps playback;"
Backup Mode	USB Port
Operating Mode	Mouse, Remote Controller, Panel Key
Login Locally	User name and password
Recording Storage	Local hard disk
External Interface	
Video input	4x BNC
Audio input	4x RCA
Video output	1x VGA, 1x HDMI, 1x CVBS
Audio output	1xRCA
Network interface	1x RJ45 (10M/100M base-T Ethernet)
USB connect port	2x USB 2.0
RS485	1x RS485
Alarm input	4CH
Alarm output	1CH
Hard Disk	
Internal HDD	2x SATA HDD port
Maximum capacity	Maximum 4TB each SATA
Mobile APP	Support IOS and Android system
Power Supply	DC 12V/4A
Operating Temperature	-10°C~+55°C
Operating Humidity	10%-90%
Size	335*250*50mm
Weight	<2.5kg(without HDD)



# 8 channel 1080P Hybrid XVR 5 in 1

## BC-1080P8

- HD Analog mode as support AHD / TVI / CVI / CVBS
- IP mode as support onvif with IP camera
- HD Analog + IP mode



### Specification

Model	BC-1080P8
Main Processor	Hisilicon HI3521A
Compression	Latest H.264 Standard compression
OS	Embedded Linux
Encoding Stream Control	Can set "fixed stream" or "variable stream" for each channel
Dual Stream	Can set "main stream" and "extra stream" for each channel
Dynamic Detection	Can set multiple detection areas for each channel
Preview Resolution	8CH 1080P (1920x1080)
Recording	8CH 1080P 15FPS/CH(PAL) 20FPS/CH(NTSC)
Recording mode	Support manual, automatic, dynamic monitoring, alarm trigger video mode
Playback	4CH 1080P
Hybrid Mode	(1). HD Analog mode: Recording: 16CH 1080P@20fps Playback: 8CH 1080P@15fps; Recording: 16CH 1080P@12fps Playback: 16CH 1080P@12fps; (2). HD Analog + IP mode Recording: 12CH 1080P@15fps + 4CH 1080P@25fps Playback: 4CH 1080P@25fps; Recording: 8CH 1080P@15fps + 8CH 1080P@25fps Playback: 4CH 1080P@25fps; Recording: 4CH 1080P@15fps + 12CH 1080P@25fps Playback: 4CH 1080P@25fps; (3). IP mode Recording: 16CH 1080P@25fps Playback: 8CH 1080P@25fps
Backup Mode	USB Port
Operating Mode	Mouse, Remote Controller, Panel Key
Login Locally	User name and password
Recording Storage	Local hard disk
External Interface	Video input 8x BNC Audio input 4x RCA Video output 1x VGA,1x HDMI, 1x CVBS Audio output 1xRCA Network interface 1x RJ45 (10M/100M base-T Ethernet) USB connect port 2 x USB 2.0 RS485 1x RS485 Alarm input 4CH Alarm output 1CH
Hard disk	Internal HDD 2x SATA HDD port Maximum capacity Maximum 4TB each SATA
Mobile APP	Support IOS and Android system
Power Supply	DC 12V/4A
Operating Temperature	-10°C~+55°C
Operating Humidity	10%-90%
Size	380*270*55mm
Weight	<3kg(without HDD)

# 16 channel 1080P HD, Hybrid XVR 5 in 1



## BC-1080P16

16CH 1080P Series

(5 in 1 : CVI, TVI, AHD, 960H, NVR)

- 16CH 1080P HD DVR
- standard HD BNC interface
- Support HD video signal recording, storage, playback and transport
- Low latency system in favour of real-time HD video image processing



### Specification

Model	BC-1080P16
Compression	H.264 / H.265 / H.265+ Standard compression
Operation	Embedded Linux
Image coding-control	Image edit adjustable, both changable and fix stream optional
Dual stream	Can be set up in each channel
Monitor image quality	1080P(1920x1080)
Image dynamic detection	Multiple detection areas in each channel
Record frame rate	1080P 18FPS/CH
Image playback quality	1080P TOTAL:288 FPS(16 CH)

Support types	Record	Playback	Preview
	Analog CH + Digital CH		Analog CH + Digital CH
	Number of lines * resolution / frame rate	Number of lines * resolution / frame rate	Number of lines * resolution / frame rate
AHD,TVI,CVI	16 * 1080P / 18 + 0	16 * 1080P / 18	16 * 1080P / 25+ 0
HVR	12* 1080P / 18 + 4*1080P / 25	4 * 1080P / 15	12* 1080P / 25 + 4*1080P / 25
HVR	8* 1080P / 25 + 8*1080P / 25	8 * 1080P / 25	8* 1080P / 25 + 8*1080P / 25
HVR	4 * 1080P / 25 + 12* 1080P / 25	8 * 1080P / 25	4 * 1080P / 25 + 12* 1080P / 25
NVR	0 + 16 * 1080P / 25	8 * 1080P / 25	0 + 16 * 1080P / 25

Video mode	Support manual, automatic, dynamic monitoring, alarm trigger video mode
Backup mode	U disk, USB portable disk, USB burn, Network storage and backup
Operate mode	Mouse
login locally	admin and password
Save recording	local hard disk and network
External Interface	Video input 1080P@25FPS
	Audio input 8xRCA
	Video output 1*VGA, 1*HDMI, 1*CVBS
	Audio output 1xRCA
	Network interface 1*10M/100M base-T Ethernet (RJ-45)
	USB connect port 2 x USB 2.0
	RS485 RS485*1
	Alarm input 4CH
	Alarm output 1CH
Hard disk	Internal HDD 2 SATA HDD port
	Maximum capacity One maximum of 8 TB SATA
Cell phone monitoring	Support iPhone, iPad, Android and 3G/4G
Power	12V/4A
Operating Temperature	-10°C~+60°C
Operating humidity	10%-90%
DVR size	380*295*55mm
Weight	<3.0kg(without HDD)



# Coaxial Cable Series

(สายเคเบิลโคแอกเซียลและอุปกรณ์สำหรับติดตั้งกล้องวงจรปิด สายอากาศทีวี และดาวเทียม)

